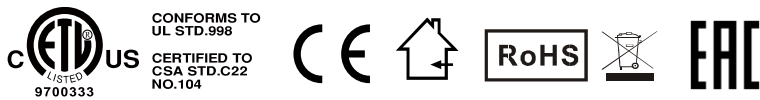


# Fog Worx®

## F-80 Fog Machine User Manual



© 2022 Fog Worx

# F-80 Fog Machine User Manual

Thank you for choosing the Fog Worx F-80 Fog Machine. Prior to use, we suggest that you carefully read all of the instructions. By following the suggestions found in this user manual, you can expect optimal performance from your **Fog Worx** Fog Machine for years to come.

## SPECIFICATIONS

Power:	US model : AC 100-120V. 50/60Hz
Heater:	700W
Fuse:	AC 120V (250V / F7A)
Warm-up time:	Approximately 4 minutes
Tank capacity:	27 ounces
Dimensions:	13 x 6.25 x 5.12
Weight:	7.93 lbs

## CAUTIONS



*Pay attention to all warning labels and instructions printed on the exterior of your Fog Worx Fog Machine*

### ***Danger of electric shock***

- Keep this device dry.
- For indoor use only. **Not designed for outdoor use**
- If using outdoors do not allow unit to become wet. Water will damage the unit and operation may become dangerous
- Prior to use make sure that the unit is installed using the properly rated voltage.
- Always unplug your **Fog Worx** Fog Machine before filling its tank.
- Keep fog machine upright.
- Turn off or unplug when not in use.
- This machine is not water-proof. If moisture, water, or fog Fluid get inside the housing, immediately unplug the unit and contact a service technician or your **Fog Worx** dealer before using it again.
- No user serviceable parts inside. Refer to your **Fog Worx** dealer or other qualified service personnel.

### ***Danger of burns***

- For adult use only. Fog machine must be installed out of the reach of children. **Never leave the unit running unattended.**
- Keep nozzle at least 20 inches away from contact with anything while operating.
- The fog vapor at point of release is under pressure and is extremely hot.
- Never aim the output nozzle directly at people.
- Fog machine output is very hot. Avoid coming within 20 inches of the output nozzle during operation.
- Operate the fog machine in a well-ventilated area. Never cover the unit's vents. To guarantee adequate ventilation, allow a free air space of at least 8 inches around the sides and top of the unit.

- Never aim the output nozzle at open flames.
- The output nozzle becomes very hot during operation (572 degrees F). Keep flammable materials at least 20 inches away from the nozzle.
- Always allow your **Fog Worx** Fog Machine to cool down before attempting to clean or service it.

### ***Danger of explosion***

- Never add flammable Fluids of any kind (oil, gas, perfume) to the fog Fluid.
- Use only the high-quality, water-based fog Fluid that your **Fog Worx** dealer recommends. We recommended the use of **Fog Worx** branded fog fluid for best performance. Other fog Fluids may produce a lower quality fog, clogging and “spitting” of unevaporated Fluid.
- Always make sure there is sufficient Fluid in the fog Fluid tank. Operating this unit without Fluid will damage the pump and the heater.
- If your **Fog Worx** Fog Machine fails to work properly, discontinue use immediately. Drain all fog Fluid from the tank, pack the unit securely (preferably in the original packing material), and return it to your **Fog Worx** dealer for service.
- Always drain tank before shipping or transporting this unit.
- If fog Fluid comes in contact with skin or eyes, rinse thoroughly with water. Never drink fog Fluid. In case of ingestion, immediately seek medical attention.

## **Unpacking & Inspection**

Open the shipping carton and check that all equipment necessary to operate the system has arrived intact. In addition to the F-80, you should receive the following items:

1. Wired remote
2. Wireless remote
3. Hanging bracket & Hardware

- Before beginning initial setup of your **Fog Worx** Fog Machine, make sure that there is no evident damage caused by transportation.
- In the event that the unit’s housing or cable is damaged, do not plug it in and do not attempt to use it until contacting your **Fog Worx** dealer for assistance.

## Setup

- Remove all of the packing materials from the fog machine. Check that all the foam and plastic padding are removed, especially around the nozzle area.
- Fill with proper fog fluid. We recommend using our **Fog Worx** branded machine fluids for optimal performance
- Firmly attach the remote-control cable to the proper input located on the rear of the machine.

## Operation

- Plug the power cord into a grounded electrical outlet. Turn on power switch to make machine start to warm up. When machine is warming up, the red light on wired remote is on. Once warming-up is completed the red lamp is off.
- To emit fog, press the button on the remote and hold for the desired length of time.
- The red light on remote will cycle on and off as the machine re-heats to the proper operating temperature.

## Controllers

ON/OFF wired remote controller.



Wireless remote controller. Maximum operation distance of wireless remote is 54 yards.



## Important

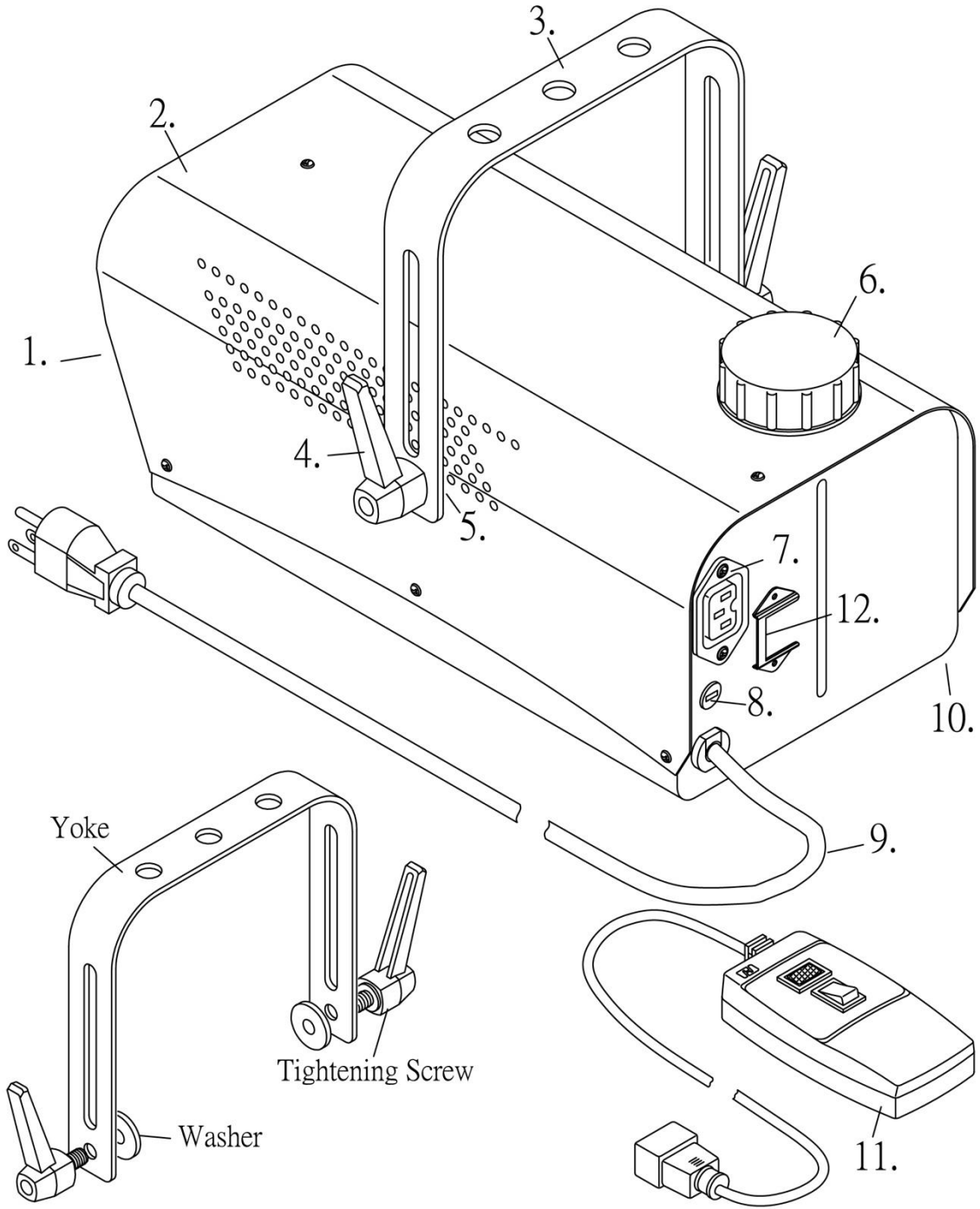
Always monitor tank fluid level as you are fogging. **Running a fog machine with no fluid can permanently damage the unit.** If you experience low output, pump noise or no output at all, unplug immediately. Check fluid level, the external fuse, remote connection, and power from the wall. If all of the above appears to be O.K., plug the unit in again. If fog does not come out after pressing the remote button for 30 seconds, check the hose attached to the tank to make sure there is fluid going through the hose. If you are unable to determine the cause of the problem, do not simply continue pushing the remote button, as this may damage the unit. Return the machine to your **Fog Worx** dealer.

# Fog Worx®

F-80ZE EXTERNAL VIEW :

- |                     |                    |
|---------------------|--------------------|
| 1. Nozzle           | 7. Control socket  |
| 2. Body             | 8. Fuse holder     |
| 3. Yoke             | 9. Power cord      |
| 4. Tightening screw | 10. Foot           |
| 5. Washer           | 11. Remote control |
| 6. Tank cap & tank  | 12. Fixed Piece    |

1  
2  
3  
4  
5  
6  
7  
8



Yoke

Tightening Screw

Washer

11

12